

# PowerView® PV450

## Engine and Diagnostic Display

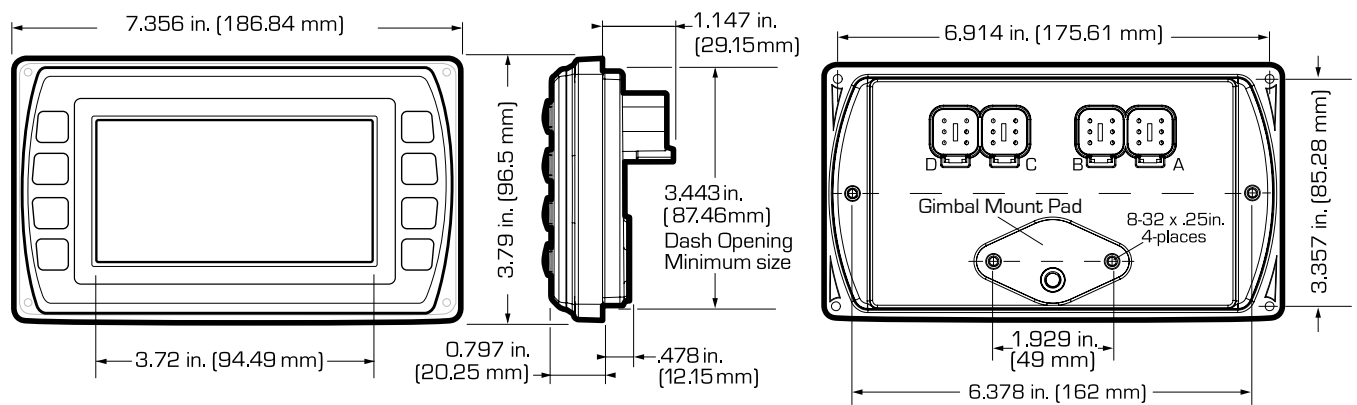
The PowerView 450 display features a freely configurable design allowing custom software to be quickly developed.

The display is compatible with PowerVision Configuration Studio® software to enable quick and easy changes to the programming.

The highly durable display features a full-color, robust 4.3-inch bonded LCD for best-in-class sunlight readability. The PV450's rugged design makes it a great solution for all types of environments and applications.



## Dimensions



## Specifications

### Technical

**Display:** Bonded 4.3" color transmissive TFT LCD  
**Resolution:** WQVGA, 480 x 272 pixels, 16-bit color  
**Aspect Ratio:** 16:9  
**Orientation:** Landscape or portrait  
**Backlighting:** LED, 500-650 cd/m<sup>2</sup> (30,000 hr lifetime)  
**Microprocessor:** Freescale i.MX357 32bit, 532Mhz QNX Realtime Operating System  
**Flash Memory:** 256 MB  
**RAM:** 128 Mbytes DDR2 SDRAM  
**Operating Voltage:** 6-32 VDC, protected against reverse polarity and load dump (CSA, 6-30 VDC)  
**Power Consumption:** 10W max. (CSA, 163 mA max @ 30VDC)  
**CAN:** (2) CAN 2.0B; optional NMEA 2000 isolation, isolation with HVS450  
**Protocols:** J1939, NMEA 2000, CAN open  
**RS-485:** (1) MODBUS Master/Slave  
**Video input (Optional):** (2) NTSC/PAL input channels with one displayed at a time  
**Connection:** (4) Deutsch DT 6-pin connectors  
**Keyboard:** (8) tactile buttons with white LED backlight  
**USB:** 2.0 host, full speed  
**Output:** (1) Open-drain, capable of sinking 500 mA

**Input:** (1) Resistive, 0-5 V or 4-20 mA (software configurable) (10-bit resolution)

**Clock:** Real time clock with built-in rechargeable Li-ion battery backup (0.033 mWh)

### Environmental

**Operating Temperature:** -40°C to +85°C (-40°F to +185°F)

**Storage Temperature:** -40°C to +85°C (-40°F to +185°F)

**Protection:** IP 66 and 67, front and back

### Electromagnetic Compatibility:

2004/108/EC EN 60945:2002

EN 61000-6-4 EN 50121-3-2

EN 61000-6-2 (immunity) EN 12895

J1113/2, 4, 11, 12, 21, 24, 26 and 41

**Vibration:** Random vibration, 7.86 Grms (5-2000 Hz), 3 axes

**Shock:** ± 50G in 3 axes

### Specifications applicable to CSA-certified PV450 only

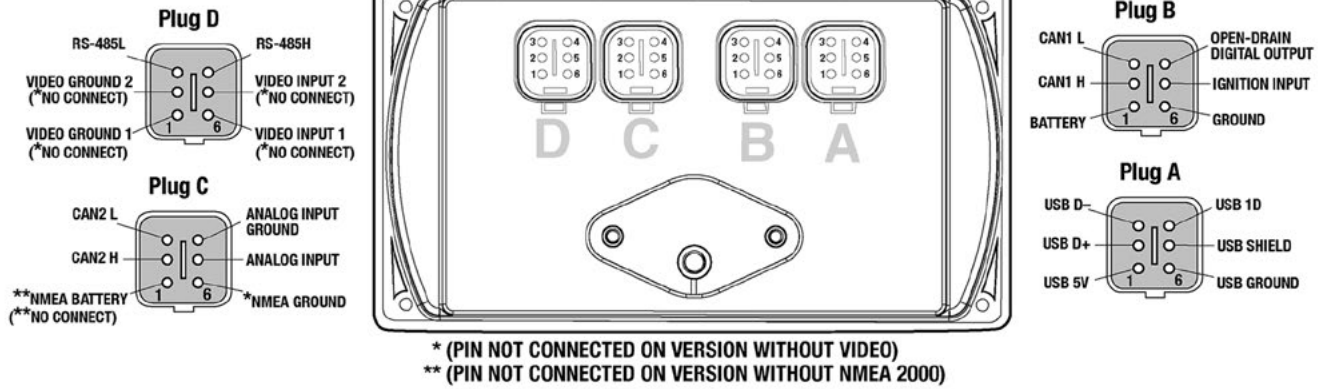
**CSA Certification:** Class I Div 2 Groups B, C & D; T4; IP66

**CAN:** (2) CAN 2.0B (transmission rates up to 1Mbps)

**Protocols:** J1939 and CAN open

**Environmental Protection:** IP 66 and 67

# Pinout



# How To Order

Part Number	Model/Description	Notes
78700436	PV450	Display
78700538	PV450, J1939, NMEA, with Video	
78700515	PV450, with Video	
78700543	PV450-01-CSA, with Video (cCSAus)	
78700544	PV450NV-01-CSA, (cCSAus)	
78000831	PV450, Visor Kit	Accessories