

# Tachometers and Tach/Hourmeters

## AT and ATH Series

### Features

- Improved quality
- New, easy one-button calibration procedure
- Every model will accept all signal sources: alternator, magnetic pickup or ignition
- Easy ring clamp for installation
- LED backlight

The AT Series tachometer is a rugged instrument with solid-state circuitry for indication of engine RPM. It is equipped with a ring nut for mounting into a standard 3-3/8 in. (86 mm) dash mounting hole. A full 240° sweep of the pointer gives an accurate indication on a large easy-to-read scale, and the dial can be illuminated for night reading. The ATH Series model is also equipped with hourmeter to record the elapsed running time of an engine.

These instruments are designed to function with Alternator, Magnetic Pickup or Ignition signals from:

- pulses generated by an alternator with 4, 8, 12, 14 or 16 poles on the rotor (3 - 52 PPR);
- pulses obtained from the ring gear of an engine by means of an electromagnetic sensor (magnetic pickup). The instrument is designed to function with flywheels having anywhere from 50 to 300 teeth;
- 2 - 10 cylinder, 4 cycle spark-ignited engines. Not intended for use with Capacitive Discharge (CD) ignitions or magnetos, only for inductive, automotive-type ignitions.

The tachometers are powered by a 12- or 24-volt battery and are reverse polarity protected. These units are for negative ground or isolated electrical systems. They are specially designed for use on truck, marine, industrial or stationary engines.



### Specifications

**Power Input:** 10-32 VDC (100 mA max at 32 VDC, does not include backlight)

**Backlight:** LED, Red (75 mA max at 32 VDC)

**Accuracy:**

Tachometer: +2% full scale

Hourmeter: +/- 0.02%

**Temperature Range:** -40 to 185° F (-40 to 85° C)

**Dial (Face Plate):** 240° sweep with white numerals

**Bezel:** 304 stainless steel

**Scale:** 0-3000 RPM

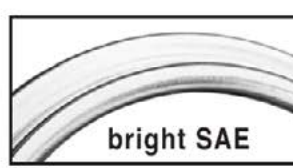
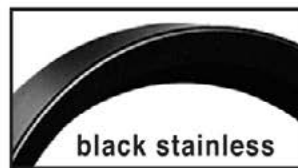
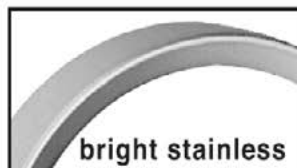
**Case Material:** Nylon, 12% glass filled

**Hourmeter Range:** 99999.9 hours in 0.1 increments.

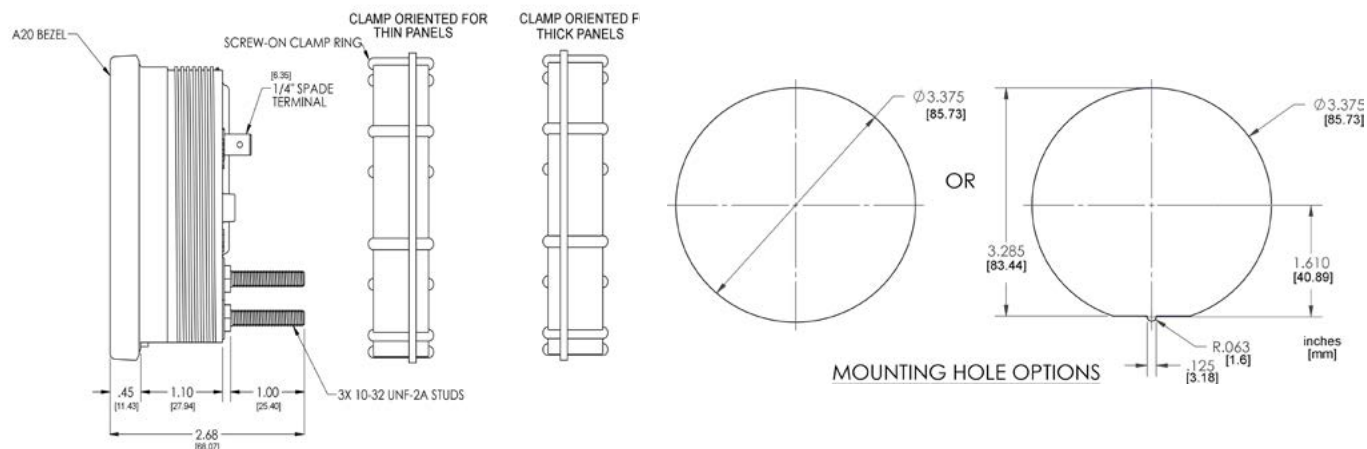
**Electromagnetic Compatibility:** 2004/108/EC

**RoHS** Compliant

### Bezel Styles



## Dimensions



## Previous Model Reference

| Old/Discontinued Model |           | New Model Replacement |          |
|------------------------|-----------|-----------------------|----------|
| Part Number            | Model     | Part Number           | Model    |
| 20700134               | ATA-40    | 20700245              | AT-30    |
| 20700135               | ATA-40-A  | 20700246              | AT-30-A  |
| 20700136               | ATA-40-B  | 20700247              | AT-30-B  |
| 20700137               | ATHA-40   | 20700249              | ATH-30   |
| 20700141               | ATHA-40-A | 20700250              | ATH-30-A |
|                        |           | 20700254              | ATH-40-A |
| 20700139               | ATHA-40-B | 20700251              | ATH-30-B |
| 20700140               | ATHA-40-C | 20700252              | ATH-30-C |
| 20700142               | ATHS-40   | 20700249              | ATH-30   |
| 20700143               | ATHS-40-A | 20700250              | ATH-30-A |
| 20700225               | ATHS-40-B | 20700251              | ATH-30-B |
| 20700226               | ATHS-40-C | 20700252              | ATH-30-C |
| 20700228               | ATS-40-A  | 20700246              | AT-30-A  |
| 20700229               | ATS-40-B  | 20700247              | AT-30-B  |
| 20700230               | ATS-40-C  | 20700248              | AT-30-C  |
| 20700231               | ATHI-40-A | 20700254              | ATH-40-A |

## How to Order

| Part Number              | Model                   | Notes with Bezel Description                        |
|--------------------------|-------------------------|---|
| <b>Without Hourmeter</b> |                         |   |
| 20700245                 | AT-30 Tachometer        | Bright Stainless Steel Bezel                        |
| 20700246                 | AT-30-A Tachometer      | Black Stainless Steel Bezel                         |
| 20700247                 | AT-30-B Tachometer      | SAE Bright Stainless Steel Bezel                    |
| 20700248                 | AT-30-C Tachometer      | SAE Black Stainless Steel Bezel                     |
| <b>With Hourmeter</b>    |                         |   |
| 20700249                 | ATH-30 Tach/Hourmeter   | Bright Stainless Steel Bezel with Hourmeter         |
| 20700250                 | ATH-30-A Tach/Hourmeter | Black Stainless Steel Bezel with Hourmeter          |
| 20700251                 | ATH-30-B Tach/Hourmeter | SAE Bright Stainless Steel Bezel with Hourmeter     |
| 20700252                 | ATH-30-C Tach/Hourmeter | SAE Black Stainless Steel Bezel with Hourmeter      |
| 20700254                 | ATH-40-A Tach/Hourmeter | 4000 RPM Black Stainless Steel Bezel with Hourmeter |